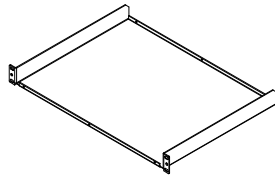


## Included in this package

(1) IRP20113D 1U DIN Rail Shelf



(4) #10-32 x 5/8 Rack Screws



(4) #12-24 x 5/8 Rack Screws



This document describes how to install ISF2112S 1U Rack-mount Shelf.

## Installation Steps

**Step 1.** Select a 1U space in your rack. If your cabinet uses cage nuts, install cage nuts into the 1U vertical rail space.

**Step 2.** Use included #10-32 or #12-24 rack screws to attach IRP20113D shelf to the rack or cabinet as shown in the illustration Figure #1. Install screw #1 on top right side mounting hole first then continue installing screw #2 to bottom right side mounting hole on the 1U shelf.

**Step 3.** Repeat Step 2 for left side of the shelf.

Installation Complete.

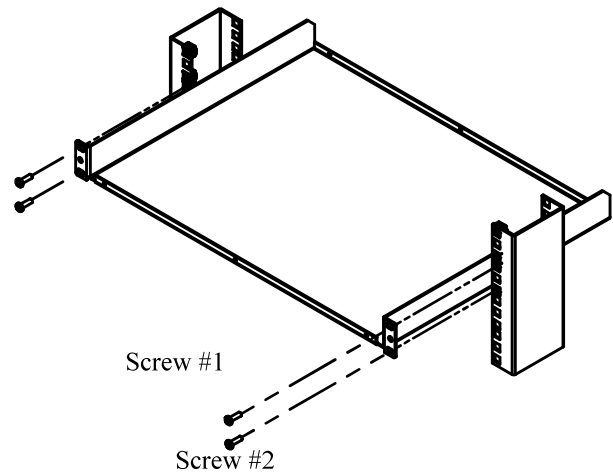
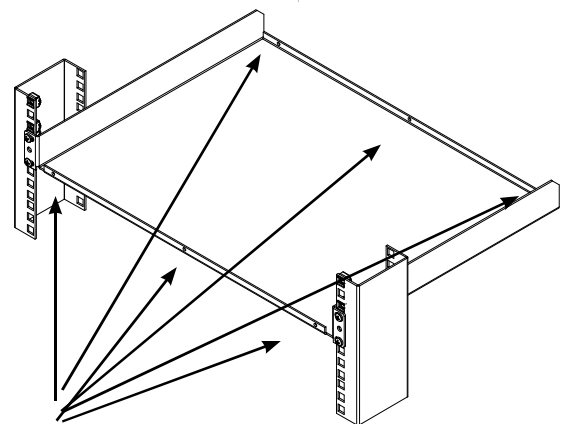


Figure 1



Additional mounting holes for accessories attachment use